

**Burns and Ferrall Locations**

**AUCKLAND**  
 12 Reg Savory Place  
 East Tamaki, Auckland

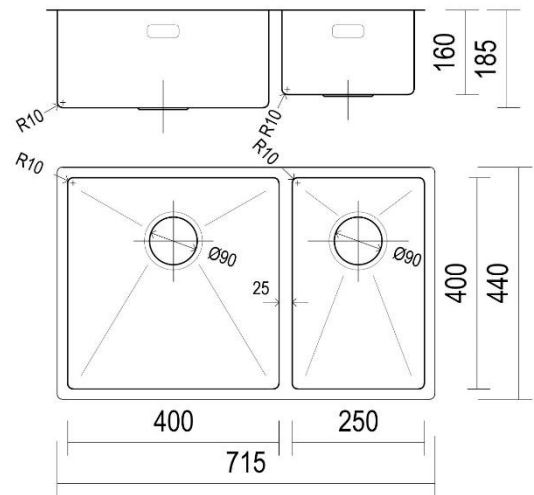
0800 697 465

**WELLINGTON**  
 122-124 Tory Street  
 Te Aro

**HAMILTON**  
 60 Alexandra Street  
 Central

**CHRISTCHURCH**  
 345 St Asaph Street  
 Christchurch

**Product Specification Sheet**  
**DIM715R10 LH**



**Designer R10**

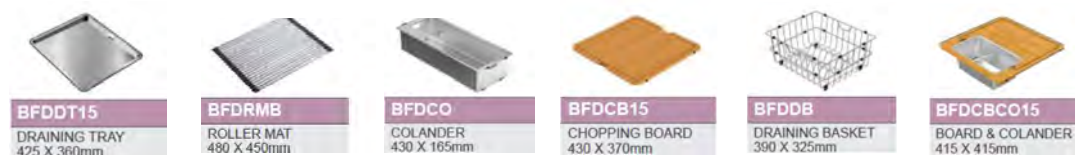
B&F Designer R10 400/250 Double Bowl

<u>Models</u>	<u>Corner Radius</u>
DIM715R10 LH	10mm
<u>Overall Dimensions W x D</u>	<u>Waste</u>
715 x 440mm	90mm
<u>Bowl Dimensions W x D x H</u>	<u>Installation</u>
400 x 400 x 200mm	Undermount
<u>2nd Bowl Dimensions: W x D x H</u>	<u>Minimum Cabinet Size</u>
250 x 400 x 160mm	795mm

Material & Finish

1.2mm 304 Stainless Steel,  
 DIAMOND FINISH

Accessories Available (optional)



E&OE – it is recommended all measurements are taken directly from the product. Specification subject to change without notice, always consult the literature supplied with the product. Coloured images are indicative only.