

Burns and Ferrall Locations

AUCKLAND
 12 Reg Savory Place
 East Tamaki, Auckland

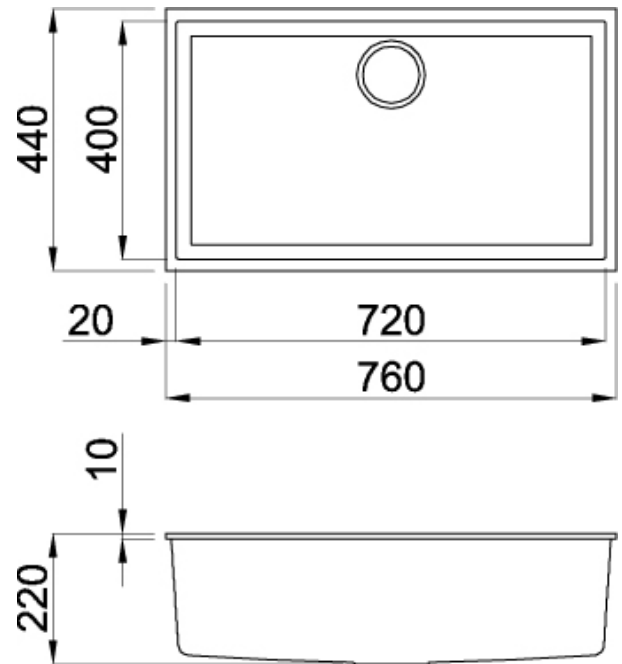
0800 697 465

WELLINGTON
 122-124 Tory Street
 Te Aro

HAMILTON
 60 Alexandra Street
 Central

CHRISTCHURCH
 345 St Asaph Street
 Christchurch

Product Specification Sheet
ELMQ130-79



Accessories Available (optional)



BFDDB
 DRAINING BASKET
 390 X 325mm



BFDRMB
 ROLLER MAT
 480 X 450mm



Eco Sink Insert
 B&F Eco Sink Matte Black
 Models
 14 8RD/ECO

E&OE – it is recommended all measurements are taken directly from the product. Specification subject to change without notice, always consult the literature supplied with the product. Coloured images are indicative only.