

**Burns and Ferrall Locations**

**AUCKLAND**  
 12 Reg Savory Place  
 East Tamaki, Auckland

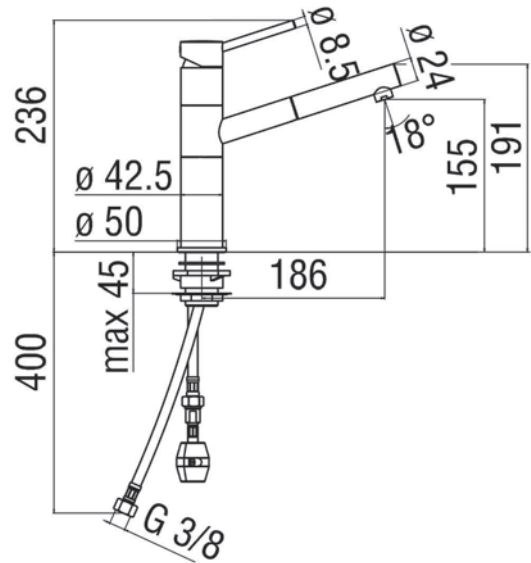
0800 697 465

**WELLINGTON**  
 122-124 Tory Street  
 Te Aro

**HAMILTON**  
 60 Alexandra Street  
 Central

**CHRISTCHURCH**  
 345 St Asaph Street  
 Christchurch

**Product Specification  
 Sheet SN00717CR**



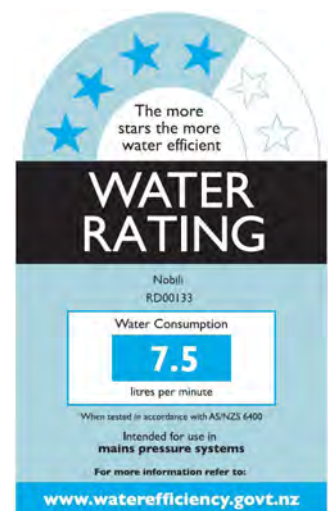
**Snow**  
 Swivel Pull Out Spout

**Models**  
 SN00717CR

**Overall Dimensions D x H**  
 186 x 236mm

**Recommended Pressure Rating**  
 100-500Kpa (1-5 Bar)  
 Mains Pressure Only

**WELS Rating**  
 6 L/min



E&OE – it is recommended all measurements are taken directly from the product. Specification subject to change without notice, always consult the literature supplied with the product. Coloured images are indicative only.